

The Upgrade Version Access Controller



ASC-DE12/24 Access Controller



Arm 7 processor, RTOS system, new PCB circuit design



Optical coupling isolation protection, more stable



Advanced access control function, including multi-card, first card, interlock and anti-passback etc.



Record capacity can be extended, it can be 130,000pcs



Multiple authentication mode, it supports card, password, card + code and fingerprint.



Alarm linkage and relay self-defined.



TCP/IP communication mode, there is 5 SOCKET port.

Hardware Design

New design and new integration, it supports TCP/IP communication mode and have 5 SOCKET port.

- Large Capacity FLASH
- Multiple output and input Protection
- Optimized Design



Systemic Linkage Function

Abundant ports are reserved for future usage and add to multiple events linkage, it supports illegal card alarm linkage, alarm linkage to open door etc.



Economic Access c Management

D series products can ensure the cost of project is lo, but device access control function is perfect.

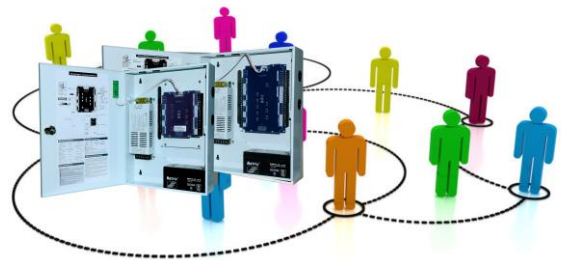
- First Card
- Multi-card Open
- Anti-passback
- Remote Control
- Multi-door interlock
- Threaten Code
- Normal Open Automatically



Multiple Authentication Management

Professional management function, manger can mange person access more efficiently and safe.

- Cancel normal open by card
- Multiple authentications
- Card failure and activate time.
- Access time segment setup



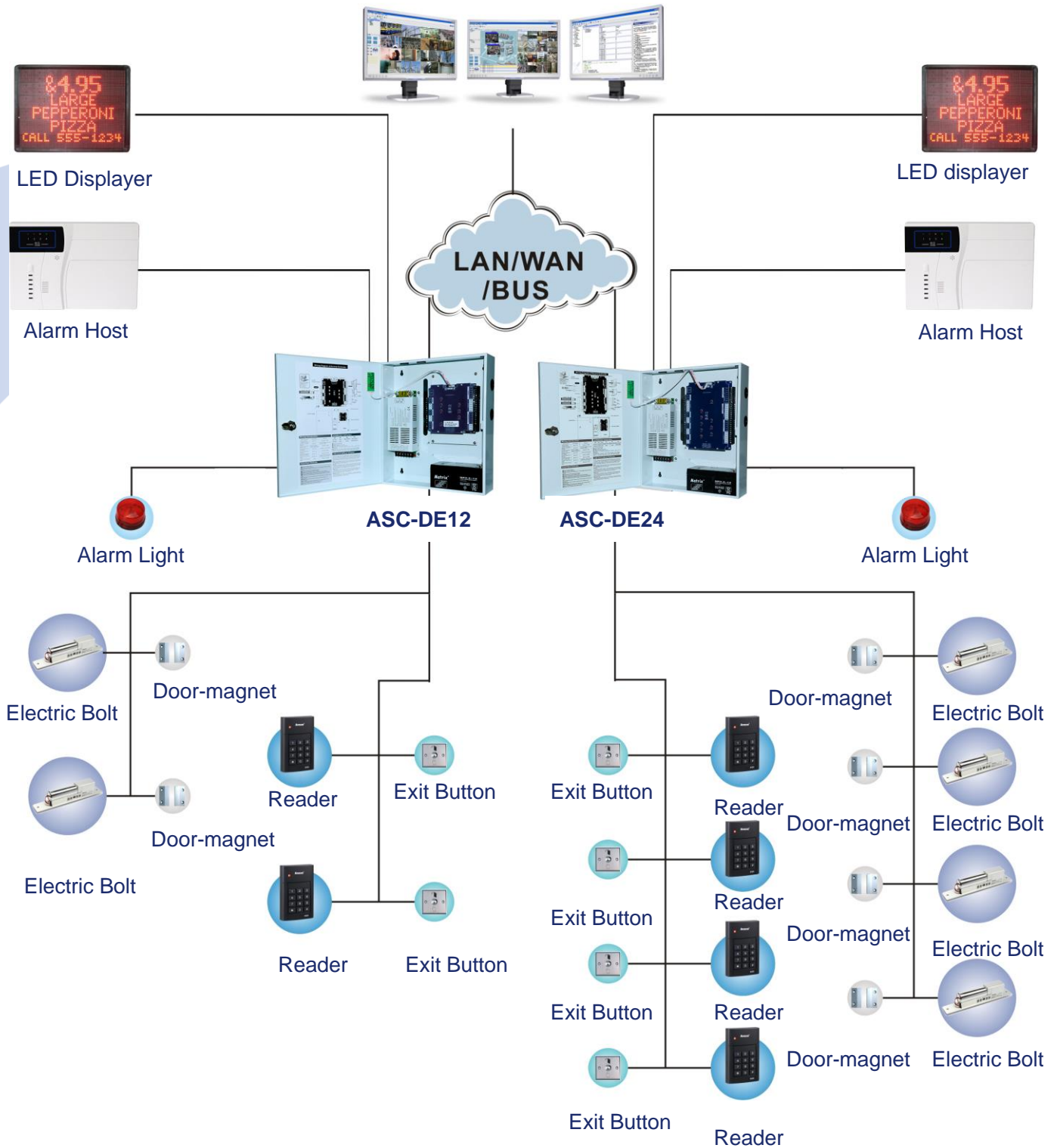
Powerful Software

When D access controller series work with Safesmart software, it can achieve more complex security function. Such as, access data search, employee shift, attendance statistics.

- Access Control and video device linkage
- Attendance
- On-line access control
- Real-time Remote monitoring



ASC-EM12/EM24 Topology base on Safesmart software



Product Parameter

Parameter	ASC-DE12	ASC-DE24
Access Mode	It supports card, card+ password, card or password, password	It supports card, card+ password, card or password, password
Event Type	Legal card, illegal card, anti-passback, exit button, password, threaten code.	Legal card, illegal card, anti-passback, exit button, password, threaten code.
Alarm Event Type	Door-magnet alarm, self-defined alarm, threaten code alarm	Door-magnet alarm, self-defined alarm, threaten code alarm
Linkage Function	All event and alarm can linkage any or multiple relay output	All event and alarm can linkage any or multiple relay output
Access Group	200 group	200 group
Holiday Schedule	300	300
User Capacity	20000	20000
Record Capacity	70000	70000
Reader Port	2	4
Exit Button Port	2	4
Door-magnet Port	2	4
Lock Output	2	4
Door-magnet Alarm Output	1	1
Self-defined Alarm Output	1	1
Self-defined Alarm Input	2	4
Communication Port	10/100MTCP/IP, 1 extension RS485 communication port	10/100MTCP/IP, 1 extension RS485 communication port
Input Protection	Opto-isolator protection	Opto-isolator protection
Output Protection	Varistor Protection	Varistor Protection
Extension Function	It supports LED displayer, alarm host and so on.	It supports LED displayer, alarm host and so on.
Video Recording and Snapshot	All Event and alarm can linkage any video to record or snapshot by Safesmart software	All Event and alarm can linkage any video to record or snapshot by Safesmart software.
First Card	Any cards can be first card.	Any cards can be first card.
Multiple Cards	To open a door by multiple cards, manager can set 4 cards to open a door at most.	To open a door by multiple cards, manager can set 4 cards to open a door at most.
Remote Control	Any doors can be opened by center authentication.	Any doors can be opened by center authentication.
Forced Control	User can open/close door forcibly.	User can open/close door forcibly.
Threaten Code	6 digits password, it is used in some special situation,	6 digits password, it is used in some special situation,
Open by Password	Each of user have a group password	Each of user have a group password
Timed Normal Open	User can setup three time-segment to let door open timed.	User can setup three time-segment to let door open timed.
Door Bolt Mode	It can open door by card during some	It can open door by card during some

		special time.	special time.
Timed invalidation for exit button		Exit button invalidation can be set for three time-segments.	Exit button invalidation can be set for three time-segments.
Anti-passback		Two readers or all readers can be set in a group	Two readers or all readers can be set in a group
Temporary Card Quantity		All users can be set as temporary cards	All users can be set as temporary cards
Self-defined Input/Ouput		User can self-define input/output function to relative relay.	User can self-define input/output function to relative relay.
Activate/dismiss security	By manually	Any user card can be appointed to activate/dismiss security function	Any user card can be appointed to activate/dismiss security function
	By software	Activate/dismiss security function can be realized by software	Activate/dismiss security function can be realized by software
Communication Security		Password encryption during data transmission	Password encryption during data transmission
Transmission Mode		It supports TCP,UDP,RTP and multicast mode,	It supports TCP,UDP,RTP and multicast mode,
Data Storage Mode		Cycled storage	Cycled storage