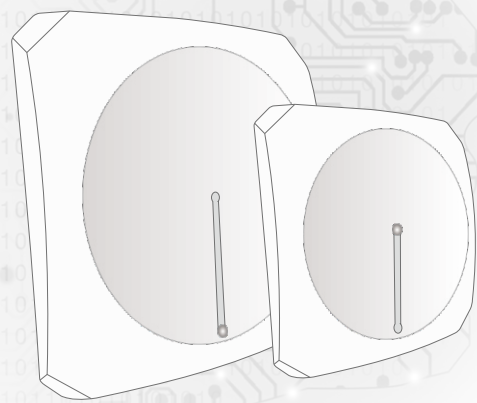
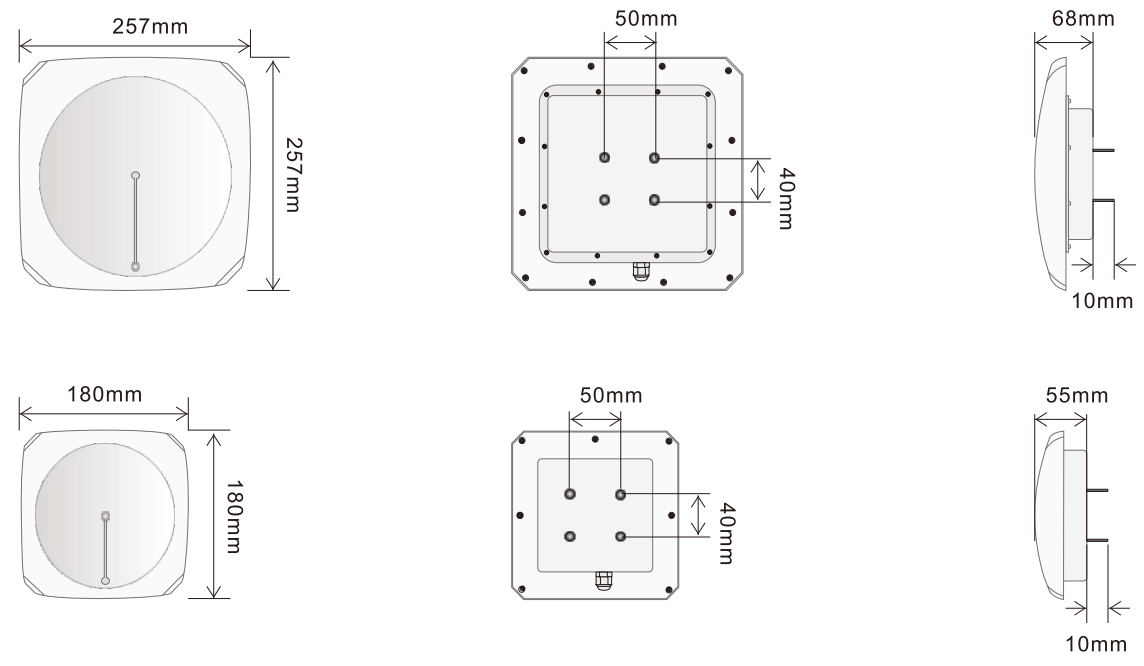


# User Manual



UHF Vehicle Reader

## 1 Product Introduction



## Statement

To the maximum extent permitted by law, the products described in this manual (including hardware, software, firmware, etc.) are provided as they are. There may be defects, errors, or malfunctions. This manual is for guidance only. The graphics, icons, and illustrations provided in the manual are for explanation and illustration only. There may be differences with specific products, please refer to the actual product. The company does not provide any form of express or implied guarantee, including but not limited to guarantees of marketability, quality satisfaction, suitability for specific purposes, and non-infringement of third-party rights, nor does it provide any special guarantees caused by the use of this manual or the company's products. Incidental, incidental or indirect damages, including but not limited to loss of business profits, loss of data or documents.

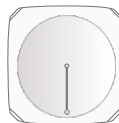
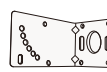




If you connect products to the internet, you need to bear your own risks, including but not limited to, the product may suffer from hacker attacks, virus infections, network attacks, data leakage, etc. The company does not assume any major or related responsibility for product failure, abnormality, information leakage and other issues caused by this. However, the company will provide users with product-related technical support.

When you use this product, you will collect, store, and use important personal information. As the data controller, when collecting, storing, and using personal information, please follow the relevant laws and regulations applicable to the protection of personal privacy. The company is not responsible for all personal and property losses caused by misuse of personal data.

The company's products have encrypted personal biometric information. Its characteristic value cannot be restored to an image.

Please observe the laws and regulations of the place of use when using the product. If this product is used to infringe the rights of a third party or other improper purposes, the company will not bear any responsibility. If the content of this manual conflicts with applicable laws, the legal provisions shall prevail.

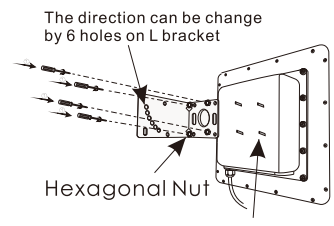
## 2 Packing List

- 
UHF Vehicle Reader × 1
- 
L Bracket × 1
- 
Standard Bracket × 1  
U Screw × 1
- 
User Manual × 1
- 
Hexagonal Nut × 4
- 
DC 12V/3A Adapter × 1

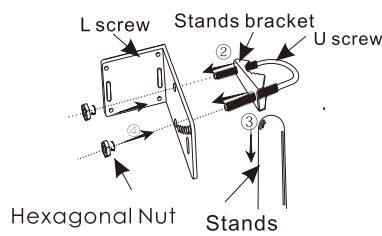
## 3 Parameter

Item	Parameter	
Model	VR6	VR12
Interface	RS485, Wiegand26, Wiegand34, USB	
Sensing Distance	1-6m	1-12m
Frequency	865~868MHz / 902~928MHz	
Working Temperature	-20°C - +80°C	
Working Humidity	20% - 95%	
Voltage	DC 12V / <5W	DC 12V / <12W
Protocol	ISO18000-6B / 6 C (EPC GEN2)	
Output Format	Wiegand26 / Wiegand34	
Size	L180 × W180 × H55	L257 × W257 × H68
Waterproof	IP66	
Related Card	HF01 / HF02 / HF01PET / HF02PET	

# 4 Installation



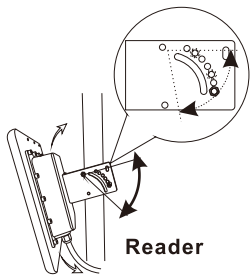
L Bracket Fixing Column



Hexagonal Nut Stands

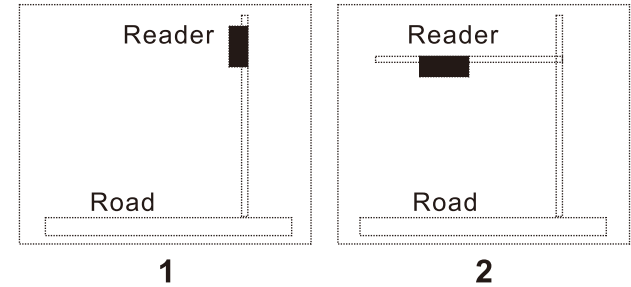
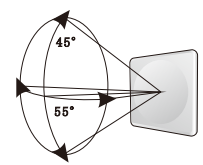
① To fix L

② To fix bracket via U

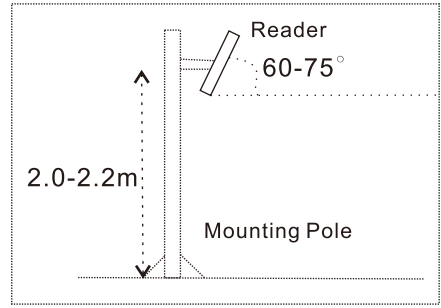
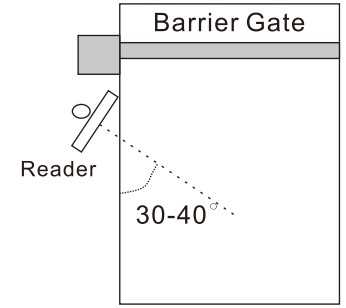


Reader

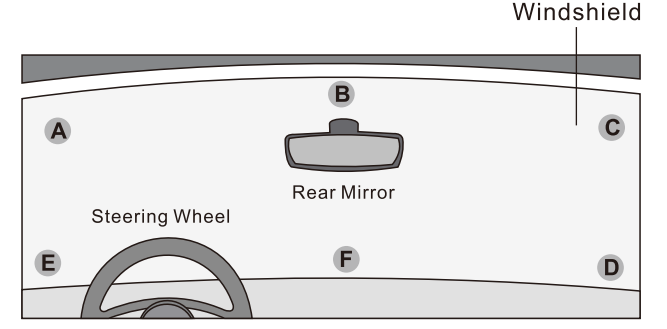
Please note the proximity range of reader should be vertical 45 degrees and the level of 55 degrees. Please refer to it when install.



Installation 1 will be easy for install, but distance will be less than installation 2, installation 2 will be more difficult for installation.

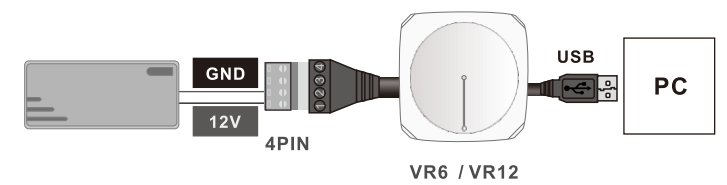


## Tag Position in Vehicle

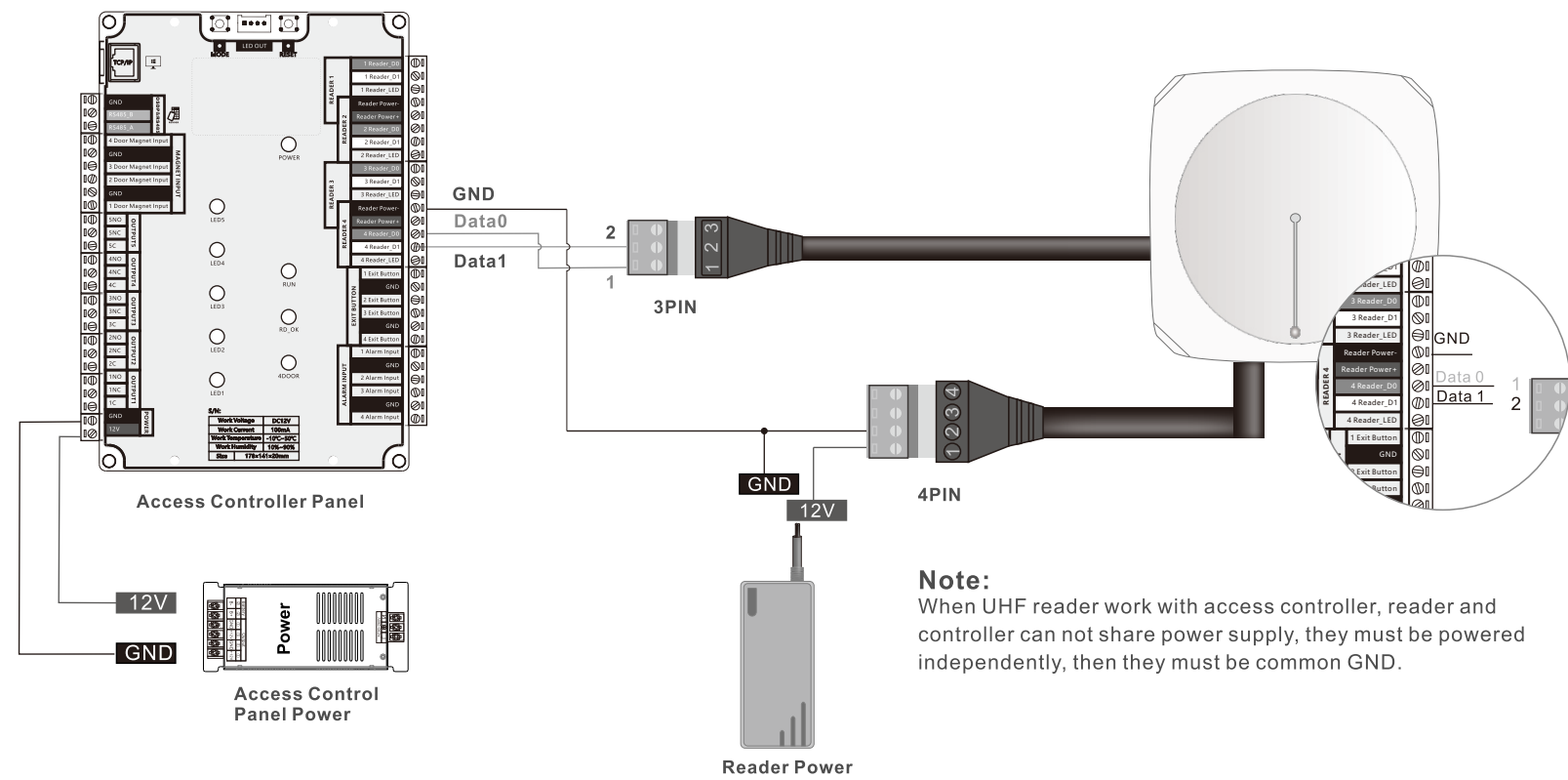


In general, the parking devices are installed in the left side of the lane, then the tag should be stick in the position of above picture showed. For small vehicle, we suggest A, B and C position, for big truck or big bus, we suggest D, E and F position. The principal of the tag position is not cover the eyesight of driver.

# 5 Connect to PC



# 6 Wiring Diagram



**Note:** When UHF reader work with access controller, reader and controller can not share power supply, they must be powered independently, then they must be common GND.

## Wiring Description

Interface	Number	Function	Description
4PIN	1	DC 12V	Positive
	2	GND	Negative
	3	RS485-	/
	4	RS485+	/
3PIN	1	Data0	Wiegand Data0
	2	Data1	Wiegand Data1
	3	TRIGGER	/
USB	/	Connection	Connecting Computer